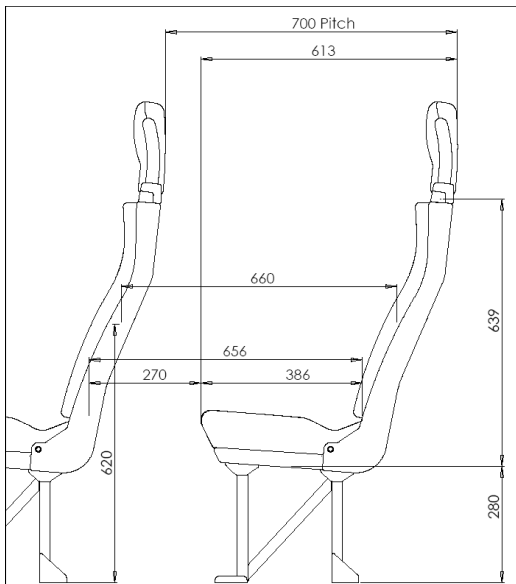




NEW

- **12.5kg complete with belt, headrest, two legs***
- 700mm pitch measurement
- Compliant to ECE Reg.14 (as amended) and ECE Reg.80 for category M2/M3 applications
- Available as 400, 425 and 450mm singles, 800, 850 and 900mm doubles
- Standard polypropylene back
- Lap/diagonal belt system: standard or *all-ages*. Optional flexible buckle. Optional twin belts on single units
- Variable leg centres
- Compliant on various quick-release fittings
- Integral head-restraint/twin corner grabs or 'open' headrest
- Optional folding armrest



* *Weight correct for:*

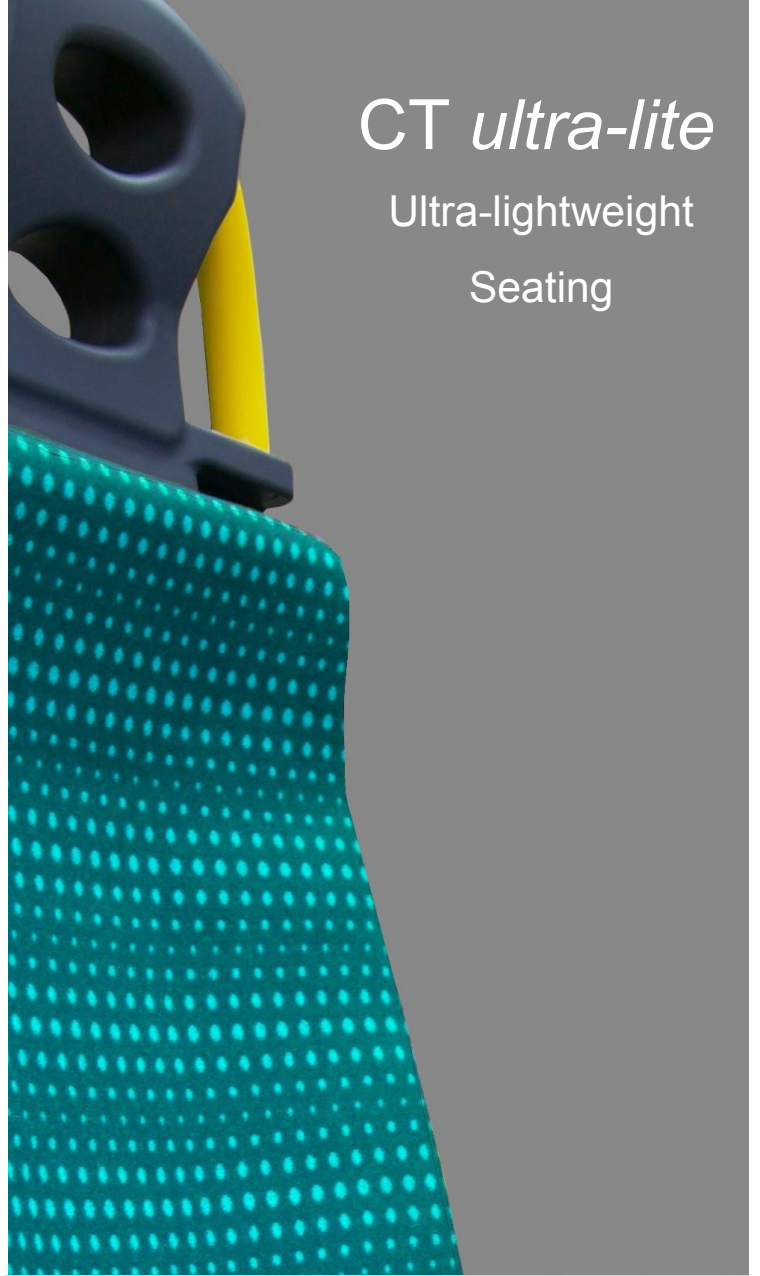
- 400mm single unit
- 2 x 280mm flat legs
- 'Open'-style fixed headrest
- Standard belt c/w stalk

1. It is not possible to test every permutation of width, accessory combination, leg height, position and type, or belt requirement. Compliance cannot be assumed if there is any deviation from the standard supply or assembly method. The advantages of this product may be lost if insufficient consideration is given to the installation method.

2. Full compliance to seat belt anchorage regulations can only be achieved through vehicle testing.

3. Product improvement may affect specification.

Product Information



CT ultra-lite

Ultra-lightweight

Seating

RESCROFT[®]

OutSTANDING InSEATING



Rescroft Limited

20 Oxleasow Road
REDDITCH
B98 0RE, UK

T: +44 (0)1527 521300

@: sales@rescroft.com

W: www.rescroft.com